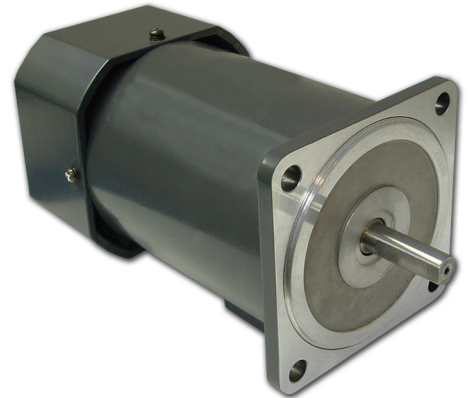


# ACW060-090-125 - Single Phase AC Motor



## FEATURES

- **Single Phase AC Motor**
- **Torque Up to 64 oz-in**
- **90mm Motor Diameter**
- **60 Watts of Power**
- **Can be Customized for**
  - **Winding Current**
  - **Shaft Options**
  - **Cables and Connectors**



## DESCRIPTION

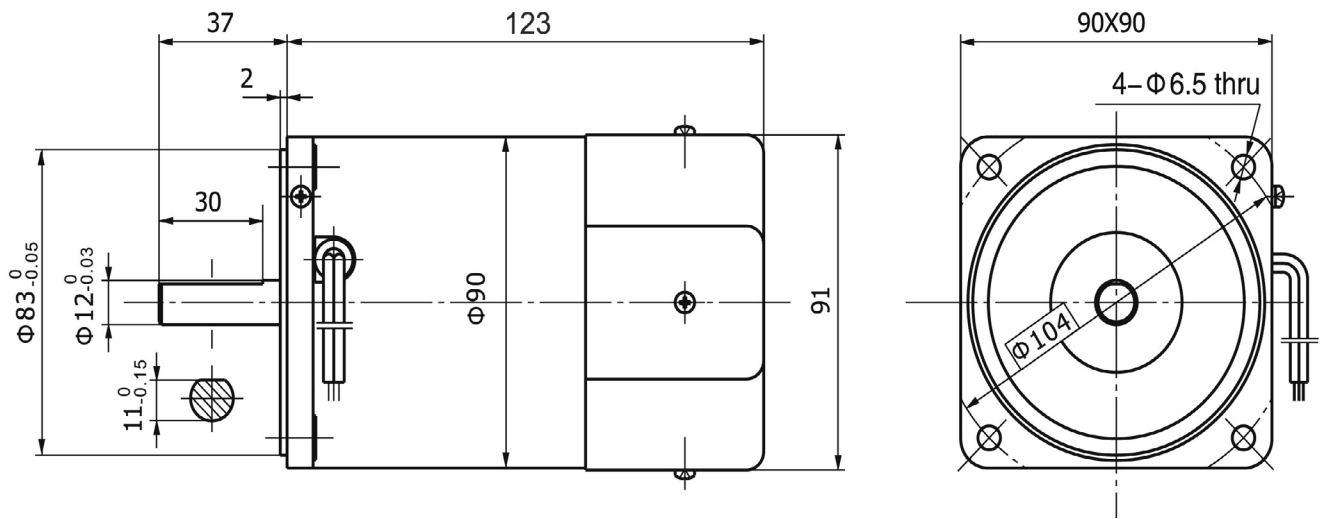
Anaheim Automation's single phase AC motors come in a variety of starting torques, rated torques and current. The ACW060-090-125 AC motor has a starting torque of 63.7 oz-in. They run up to 1550 RPM with single phase 110VAC, 60 Hz. The ACW060-090-125 offers torque ranges up to 64 oz-in. Other models are also available with a gearbox to provide even higher torques. Custom options for the Single Phase AC motor line include optimizing the maximum speed, torque, current, voltage, cabling, wiring, connectors, and shaft modifications.

## SPECIFICATIONS

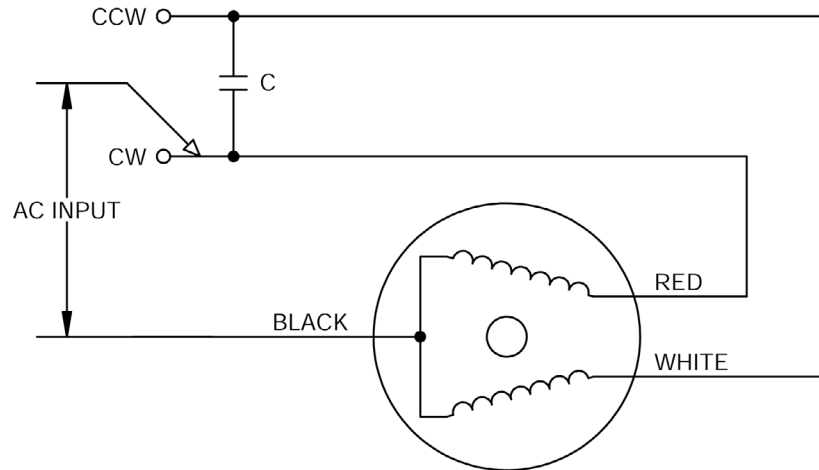
| Model #                 | Input Voltage (VAC) | Power (W) | Current (A) | Motor Speed (RPM) | Start Torque (oz-in) | Rated Torque (oz-in) | Motor Diameter (mm) | Motor Length (mm) | Weight (lbs) |
|-------------------------|---------------------|-----------|-------------|-------------------|----------------------|----------------------|---------------------|-------------------|--------------|
| ACW060-090-125-110-1550 | 110                 | 60        | 1.1         | 1550              | 63.7                 | 62.4                 | 90                  | 125               | 5.93         |

L010505

DIMENSIONS



WIRING DIAGRAM



SPECIFICATIONS

|                   |                         |                        |                |
|-------------------|-------------------------|------------------------|----------------|
| Capacitor: uF/VAC | 18 / 250                | Phase:                 | Single-phase   |
| Frequency:        | 60Hz                    | AC Motor Type:         | Reversible     |
| Radial Play:      | 99.21 lb - Force @ 20mm | Operating Temperature: | 10° F to 131°F |
| Thrust Play:      | 22.05lb - Force         | Humidity:              | 90%            |